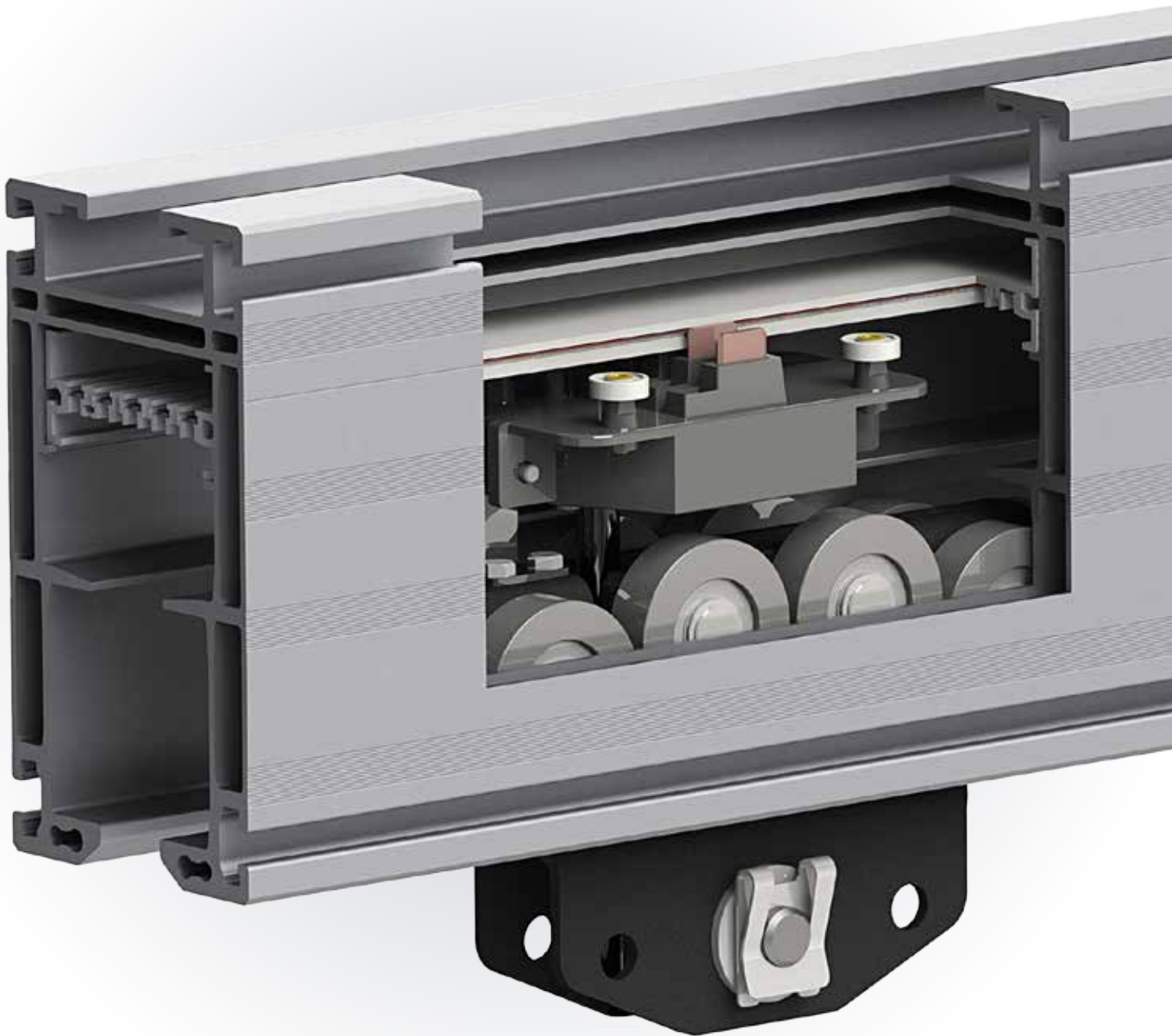


PROSYSTEM®

Aluminium Light Crane System

NEW!
SMARTER & SAFER



PROSYSTEM® Aluminium Light Crane System

is the most advanced workshop crane in the world. It's unique safety features keep you safe when it matters. Shared PROSYSTEM® components, such as suspensions, enable easy configuration and installation.

These are the key features that makes PROSYSTEM® Aluminium Light Crane System the Smarter Alternative with Safety Built-In.

Internal Conductor Bar

- Compact 5-pole design for 32A feed
- 16A current collector
- Modular conductor bar system
- Compact current collector that enables trolleys' full movement range
- Cable from collector goes through push trolley

Unique Stripes

- ID stripes help profile identification
- Fixing stripe

Safety Wire (optional)

- Integrated design
- The wire is located below both runway surfaces
- Wires are fixed to the end plates
- For additional safety in case of unexpected overloadings or changes in circumstances

Suspensions

- Full range of PROSYSTEM® suspensions

Push Trolley

- Only one trolley type with multiple features
- Max. load 600 kg
- Steel trolley
- Integrated fixtures for additional features
- Integrated cable channels for current collector
- Can resist upward forces

Joint

- Two pieces of connection plates on both sides
- Only one joint type needed
- Fast and secure installation

Articulating Suspension for Trolley

- Flexible articulating suspension that enable smooth movement of bridge
- Can resist upward forces
- Shared components with PROSYSTEM®
- Only one trolley type needed
- Can be rotated 90° for telescopes when needed

End Plate

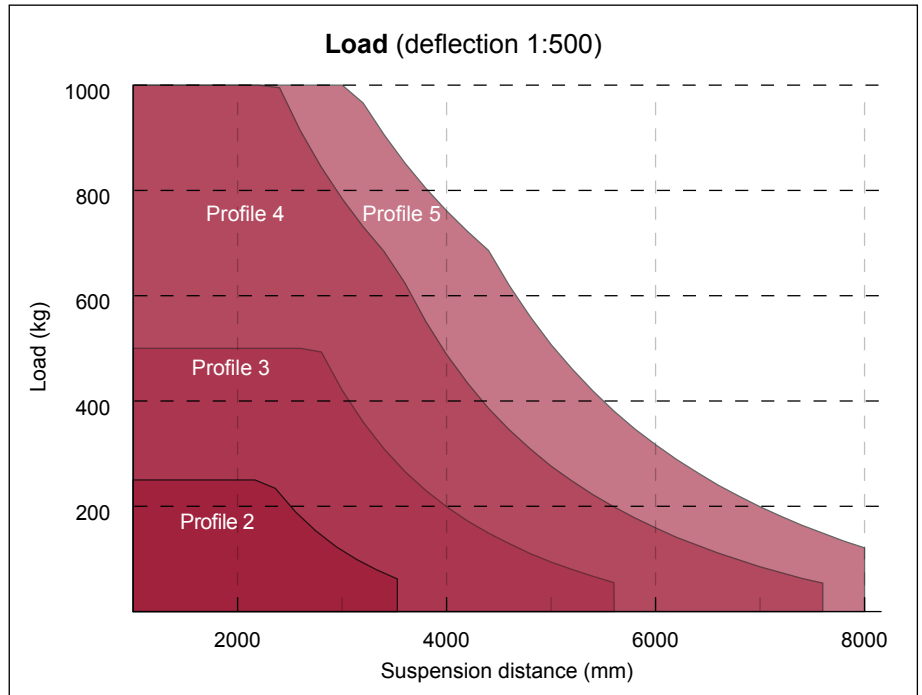
- Functions as an end stopper
 - Bolt stopper as an option
 - Adjustable stopper as an option
- Fixing of Safety Wire

PROSYSTEM® Aluminium Light Crane System Profiles

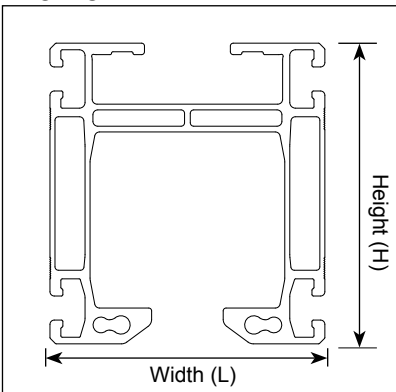
ERIKKILA aluminium profiles are characterised by their intelligent profile geometry.

All aluminium profiles are compatible with a wide range of PROSYSTEM® components. The system is thus flexible and economical to implement.

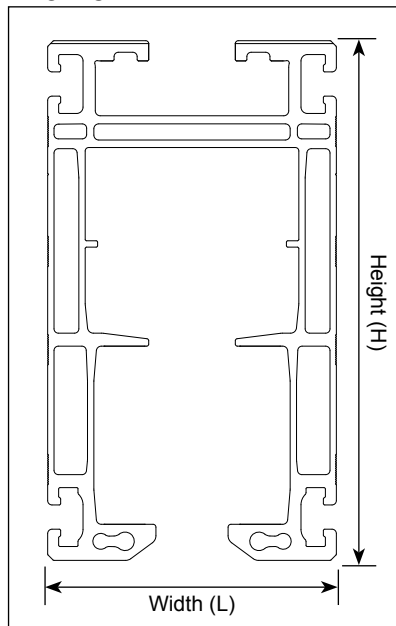
Unique ID stripes help profile identification and installation of accessories.



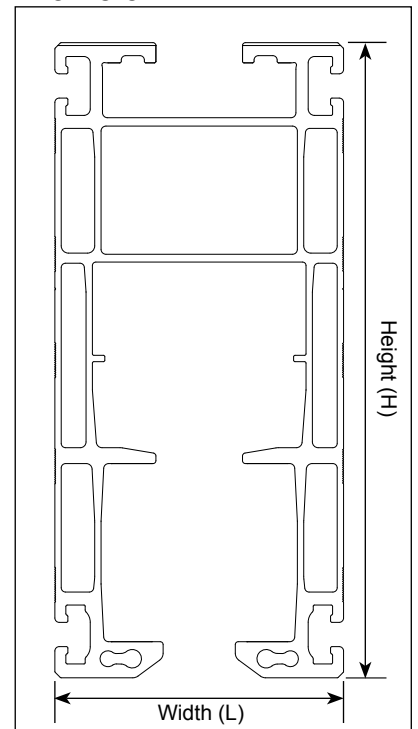
Profile 2



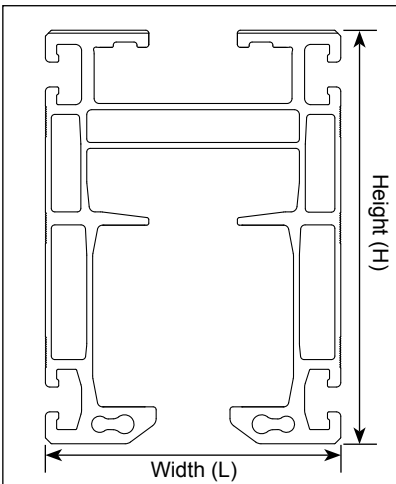
Profile 4



Profile 5



Profile 3



Technical Data

Profile	2	3	4	5
Profile height H (mm)	105	140	180	220
Profile width L (mm)	100	100	100	100
Weight (kg/m)	5,1	7,6	9,4	10,8

Push Trolley

The body of the push trolley is made of steel with black paint finish, and can be used for loads up to 600 kg.

The trolley's eight wheels are arranged to ensure it doesn't move up or down in any situation. Each side of the trolley has four wheels. Two move against the underside and two against the topside of the profile form.

The trolley can be secured with the optional Safety Wire that is located inside the trolley runway. The wire is fixed to both ends of the profile. The Safety Wire is specially recommended when a profile system is in a continuous use, and may face unexpected overloads or changes in circumstances.



Internal Conductor Bar

ERIKKILA aluminium profiles are designed to hold the PROSYSTEM® internal conductor bar as a standard. The current collector (1.) is located above the push trolley (2.) and enables full movement range. The modular end plate (3.) is designed to house the power feed.

- Compact 5-pole design for 32A feed (4.)
- 16A current collector



Subject to changes.

PROSYSTEM® Aluminium Light Crane System

Steel + Aluminium Combinations

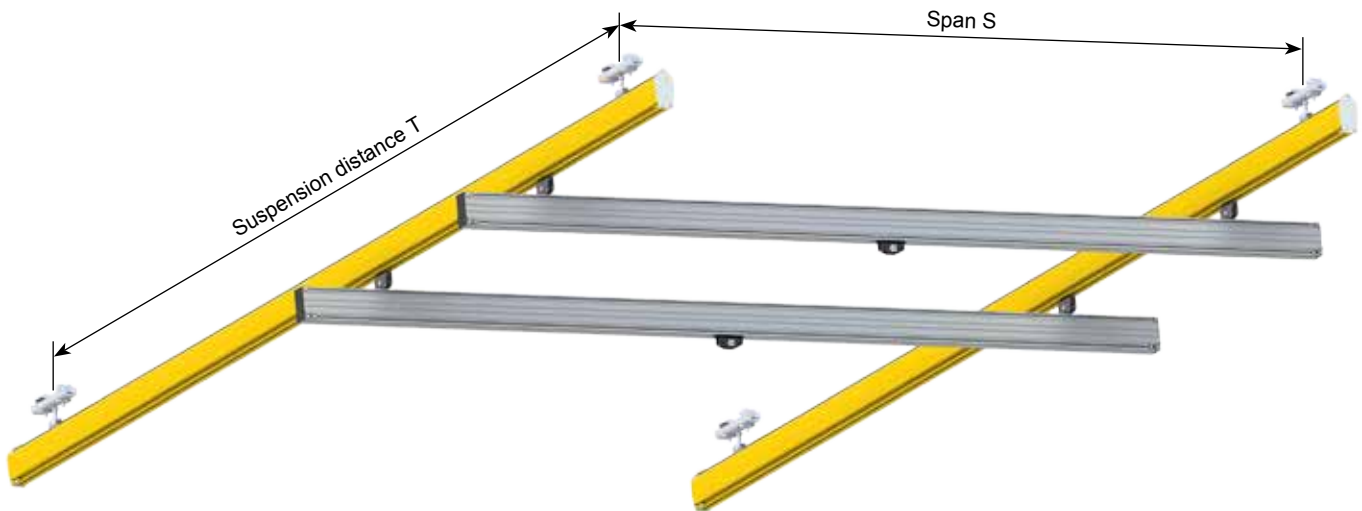
While steel profile's load carrying capacity is higher than aluminium's, aluminium has lower own mass which makes it easier to move than steel. The strengths of both materials can be achieved by combining the two in to a single system.

Adding steel tracks to an aluminium bridge enables longer suspension distances while still having the lightness of aluminium. Adding a steel bridge to aluminium tracks enables a much wider bridge span than aluminium can.

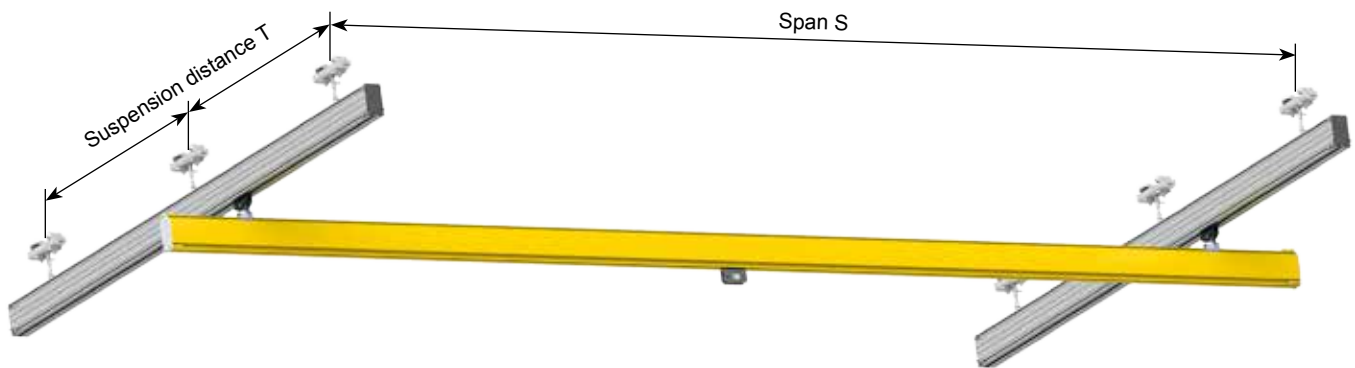
Profile type	Max. Bridge Span	Max. Suspension distance
Steel	8 m	8 m
Aluminium	6 m	6 m

Special lengths on inquiry

Steel Tracks + Aluminium Bridge



Aluminium Tracks + Steel Bridge



Case example: Metso Automation Oy

The Finnish valve manufacturer Metso moved from Finland's capital city Helsinki to new facilities in the neighbouring city of Vantaa at the beginning of 2011. Metso delivers valves all over the world to companies in such fields as oil, gas, process industries and forestry. In the end, a total of 210 bridge and jib cranes were acquired.

A special advantage of ERIKKILA's equipment proved to be its easy adaptability, thanks to the connection solutions used in the support structures.

This case also proved to be a prime example of customer's needs and demands and meeting them with cost-efficient solutions. All of the light crane system bridge cranes run on ERIKKILA's sturdy steel tracks. A large amount of the bridges were aluminium, demanded by the customer: They had been convinced by the light-weight feel of aluminium to be the best. Many workers thanked for the seamlessly working bridge cranes, especially the aluminium ones.



Subject to changes.

ERIKKILA®

PASSION IN CRANES

[Finland] Sales, Service and Production

ERIKKILA OY
Masalantie 225
FI-02430 MASALA
T: +358 9 2219 0530
F: +358 9 297 5021
E: sales@erikkila.com

[Estonia] Sales, Service and Production

OÜ Eesti Kraanavabrik
Tähetorni 21 A
EE-11625 TALLINN
T: +372 6755 070
F: +372 6755 071
E: kraana@erikkila.com

[Germany] Sales Office

ERIKKILA Deutschland
ERIKKILA OY
Schulstraße 1
D-73084 Salach
T: +49 7162 305921
F: +49 7162 305922
E: sales@erikkila.com

[Russia] Sales and Service

OOO Erikkila
Ul. Vozrozhdenia 31 A, Office 204
198188 ST. PETERSBURG
T: +7 812 332 2843
F: +7 812 332 2843
E: ooo@erikkila.com

Distributor:

www.erikkila.com